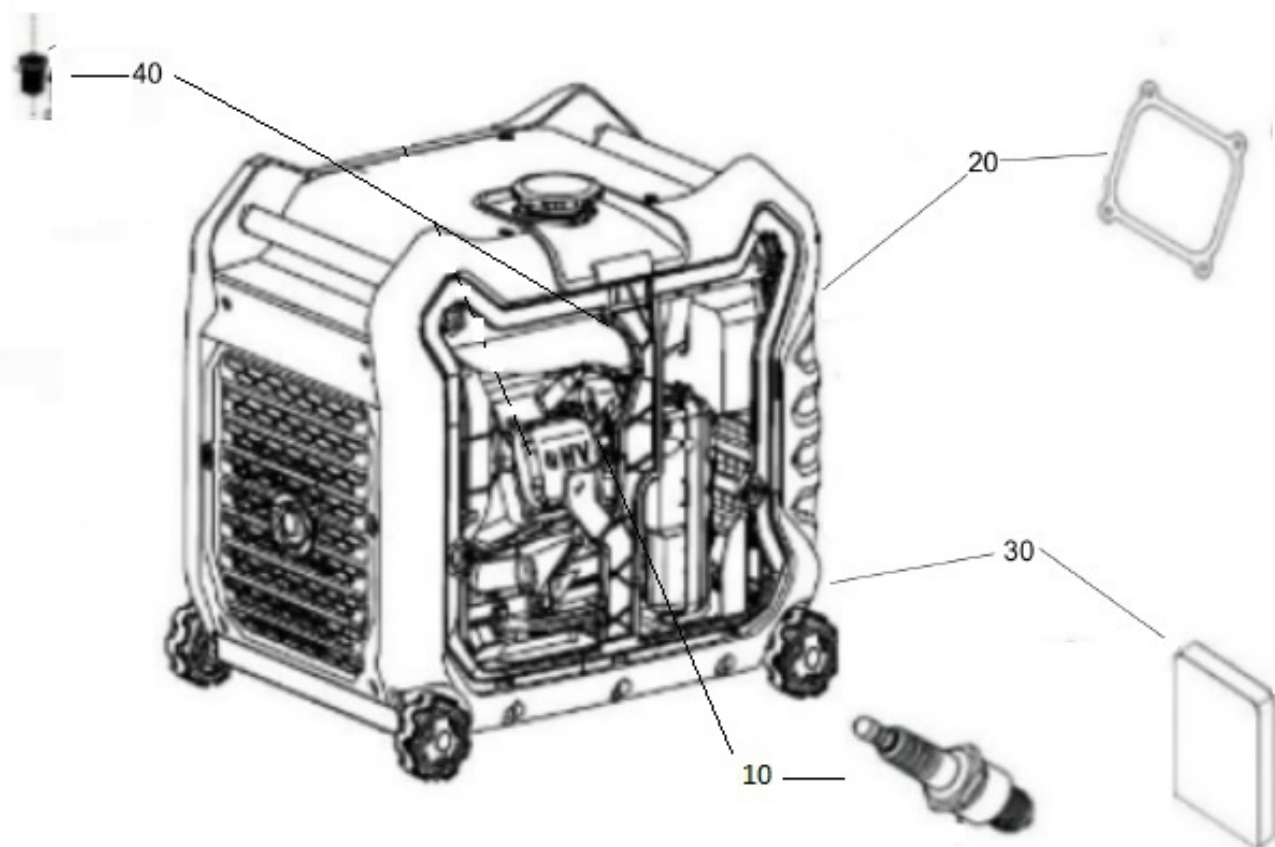




Filter	2950899200,ESF 000001 -
Specifications	ASL Number: 2950899200, Product number: 8170023375, Division: Power & Flow, Product
Identity	2950899200

Service pack 200 hours	service_pack_200h_1636310897
Service pack 200 hrs.	1636310897
Engine oil - genoil 5w40	Engineoil-genoil5w40-185
Engine oil - Genoil15W40	Engineoil-Genoil15W40_
Frame and mounts	1636320264
Fuel tank and accessories	1636320102
Control panel components	1636330088
Control panel & accessories	1636320265
Spare parts	1636320263
Engine & accessories	1636320099
Alternator and accessories	1636320100
INVERTER & ACC	1636320261
Handle kit P6000i	1636320105



CPPG6I BP S5 50HZ ESF
Spare parts catalogue
Service pack 200 hours
Service_pack_200h_1636310897

Id	Qty	Number	Name	Specifications
-		1636310897	Service pack 200 hours	
10	1	1636300603	SPARK PLUG	
20	1	1636304544	Head cover gasket	
30	1	1636304559	Air cleaner element	
40	1	1636300641	FUEL TANK FILTER	

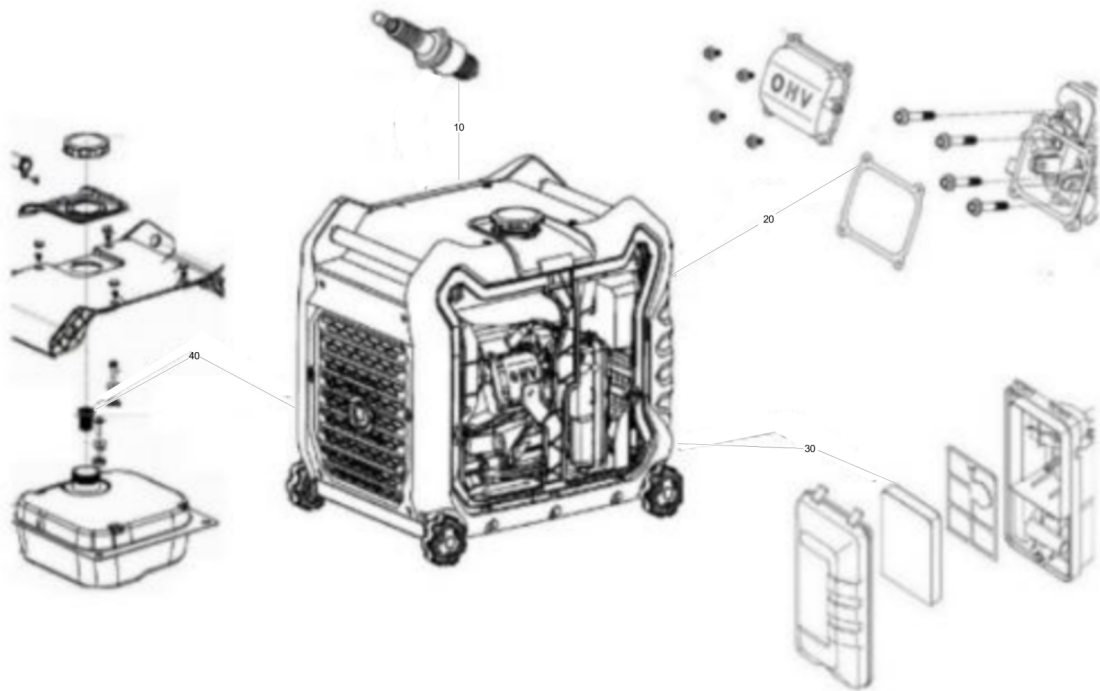
CPPG6I BP S5 50HZ ESF

Spare parts catalogue
Service pack 200 hrs.

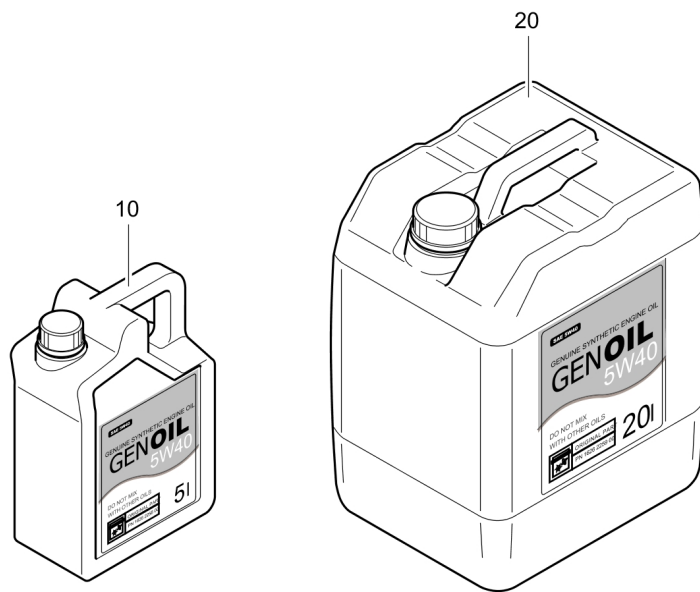
1636310897

Version: 2

Not illustrated			
Ref.	Part Number	Description	Qty
50	1636 3028 ES	Fuel filter and oil seal	1
60	1636 3029 ES	Fuel filter	1



Id	Qty	Number	Name	Specifications
10	1	1636300603	SPARK PLUG	
20	1	1636304544	Head cover gasket	
30	1	1636304559	Air cleaner element	
40	1	1636300641	FUEL TANK FILTER	
50	1	1636304583	FUEL FILTER TANK OILOUT	
60	1	1636302609	Fuel filter	



Id	Qty	Number	Name	Specifications
-			Engine oil - Genoil 5W40	
10	1	1626225800	CAN PAROIL EXTRA 5 LITER/1.32 GALLON	
20	1	1626225900	CAN PAROIL EXTRA 20 LITER/5.3 GALLON	



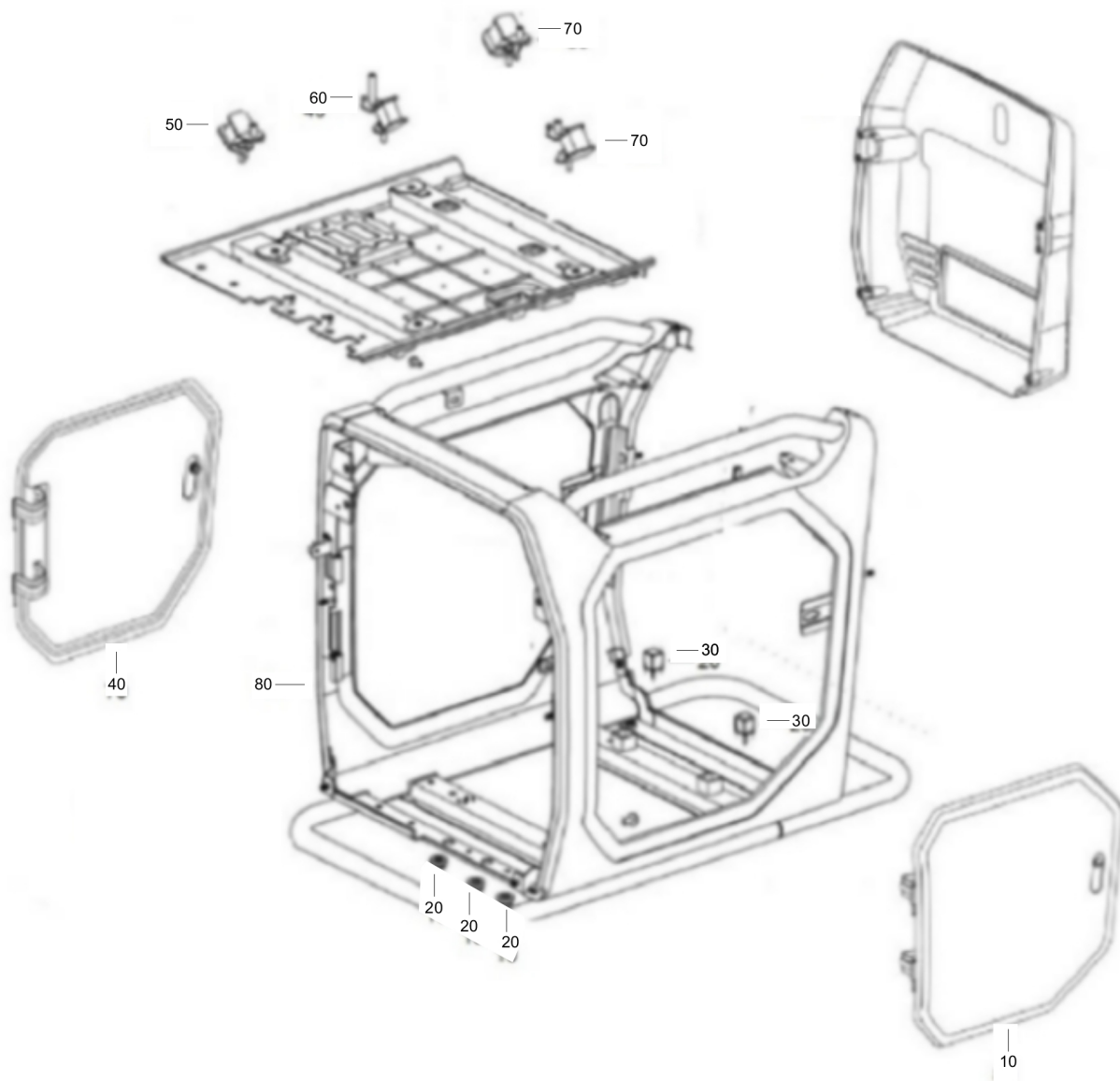
10



20

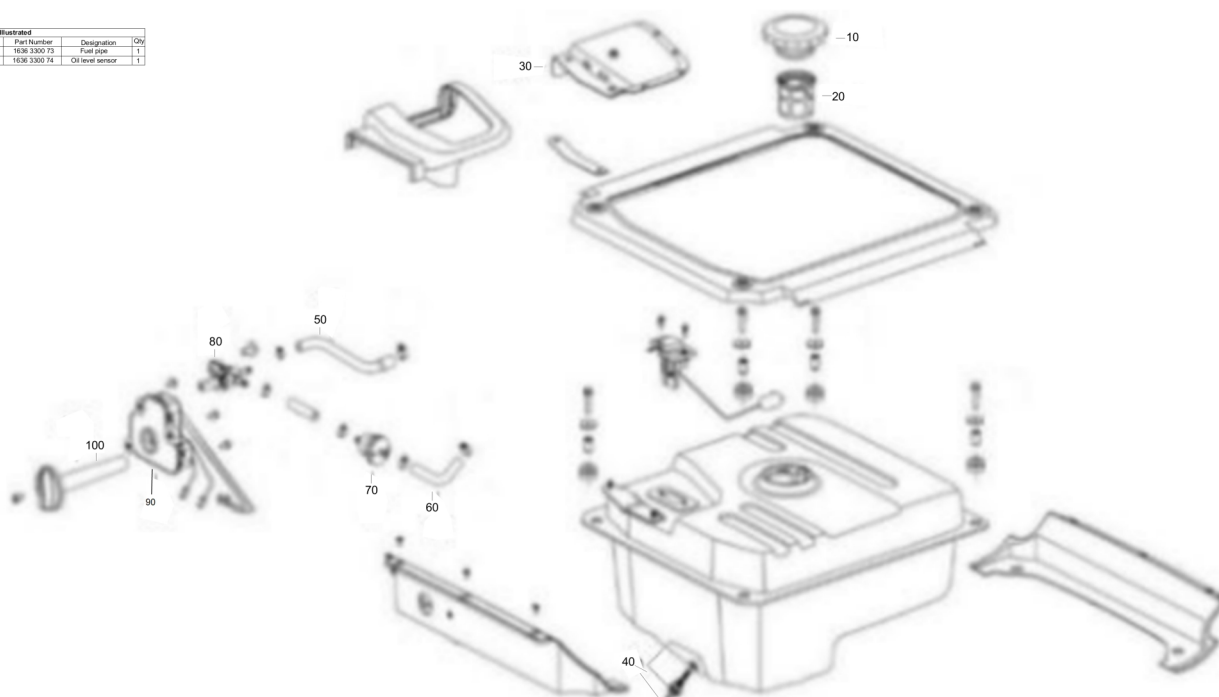
Id	Qty	Number	Name	Specifications
10	1	1626226200	CAN GENOIL 15W40 5 LITER/1.32 GALLON	
20	1	1626226300	CAN GENOIL 15W40 20 LITER/5.3 GALLON	

Not Illustrated			
Ref	Part Number	Designation	Qty
90	1636 3300 78	Earth cable	1
100	1636 3302 11	Frame backplane loncin	1



Id	Qty	Number	Name	Specifications
10	1	1636303977	Right cover red	
20	3	1636304572	Buffer rubber	
30	2	1636304573	Buffer rubber	
40	1	1636303978	Left cover red	
50	1	1636304576	Shock absorber rubber	
60	1	1636304575	Shock absorber rubber	
70	2	1636304574	Shock absorber rubber	
80	1	1636330070	Back frame bar	
90	1	1636330078	Earth cable	
100	1	1636330211	Frame backplane	

Not Illustrated			
Ref	Part Number	Designation	Qty
110	1636 3300 73	Fuel pipe	1
120	1636 3300 74	Oil level sensor	1



Id	Qty	Number	Name	Specifications
10	1	1636302264	Tank cover	
20	1	1636300641	FUEL TANK FILTER	
30	1	1636304580	Fuel level sensor plate	
40	1	1636304581	Fuel tank comp.	
50	1	1636304582	Fuel tube	
60	1	1636304583	FUEL FILTER TANK OILOUT	
70	1	1636302609	Fuel filter	
80	1	1636304535	Fuel cock comp.	
90	1	1636304584	Combined switch parts	
100	1	1636304585	Oil switch knob	
110	1	1636330073	Fuel pipe	
120	1	1636330074	Oil level sensor	

Not Illustrated			
Ref	Part Number	Designation	Qty
10	1636 3007 25	Circuit breaker	2
20	1636 3300 82	Circuit breaker	1
30	1636 3009 61	Socket	2
40	1636 3033 23	Socket	1
50	1636 3045 97	Usb socket	1
60	1636 3045 88	Engine switch	1
70	1636 3045 89	Idling switch	1
80	1636 3045 87	Grid socket red	1
90	1636 3046 00	Grid socket black	1
100	1636 3045 92	Tarpaulin	2

Id	Qty	Number	Name	Specifications
10	2	1636300725	Circuit breaker	
20	1	1636330082	Circuit breaker 271290015-0001 loncin	
30	2	1636300961	SOCKET	
40	1	1636303323	Socket 271890067-0001	
50	1	1636304597	Usb socket 284700010-0001 loncin	
60	1	1636304588	Engine switch	
70	1	1636304589	Idling switch	
80	1	1636304587	Grid socket red 381070013-0001 loncin	
90	1	1636304600	Grid socket black 381070013-0002 loncin	
100	2	1636304592	Tarpaulin 273330021-0001 loncin	

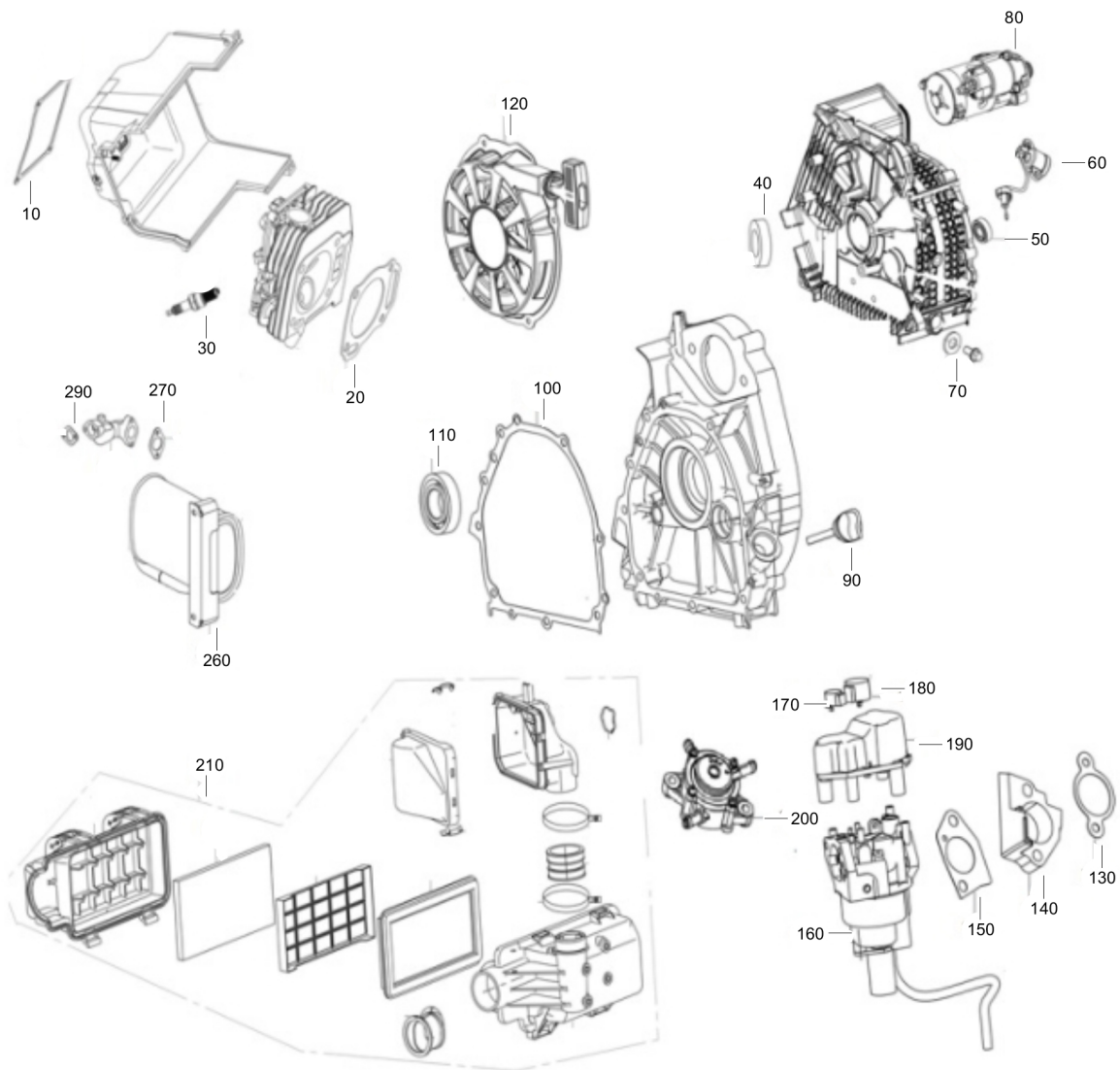
Not Illustrated			
Ref	Part Number	Designation	Qty
10	1636 3300 66	Battery maintenance cover	1
20	1636 3300 88	Control panel components	1
30	1636 3045 98	Digital display meter	1
40	1636 3045 99	Start control switch	1
50	1636 3300 65	Panel bed	1
60	1636 3046 03	Wire harness assy	1
70	1636 3300 83	Connecting cable	1

Id	Qty	Number	Name	Specifications
10	1	1636330066	Battery maintenance cover	662460003-0002 loncin
20	1	1636330088	Control panel components	271852881-0005 loncin
30	1	1636304598	Digital display meter	
40	1	1636304599	Start control switch	
50	1	1636330065	Panel bed	271970038-0002 loncin
60	1	1636304603	Wire harness assembly.	
70	1	1636330083	Connecting cable	271280206-0001 loncin

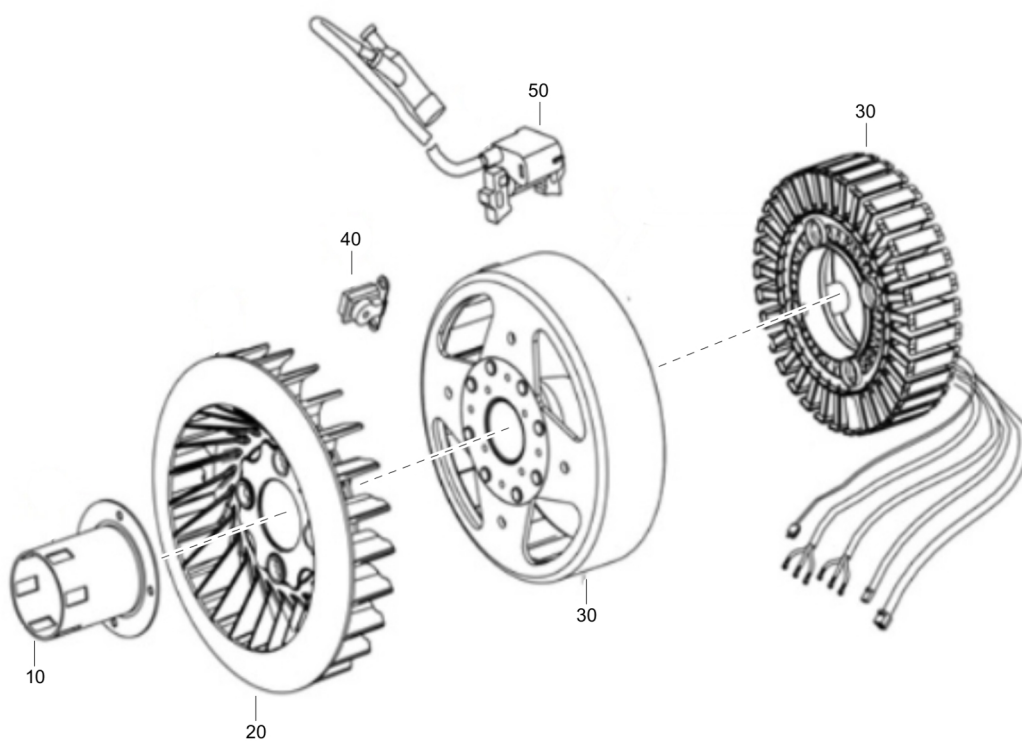
Not Illustrated			
Ref	Part Number	Designation	Qty
30	1636 3202 64	Frame & mounts	1
50	1636 3202 65	Control panel & acc	1

Id	Qty	Number	Name	Specifications
30	1	1636320264	FRAME AND MOUNTS	
50	1	1636320265	Control panel & acc	

Not Illustrated			
Ref	Part Number	Designation	Qty
300	1636 3300 67	Muffler guard shield	1
310	2934 0452 00	Heat insulation fiber	1
320	1636 3300 69	Heat insulating plate	1
330	2934 0452 00	Heat insulation fiber	1
340	1636 3300 77	Head cyl. temp sensor	1
A10	1636 3045 59	Air cleaner element	1
A20	1636 3300 75	Filter element	1
B10	1636 3047 54	Arrester spark gasket	1

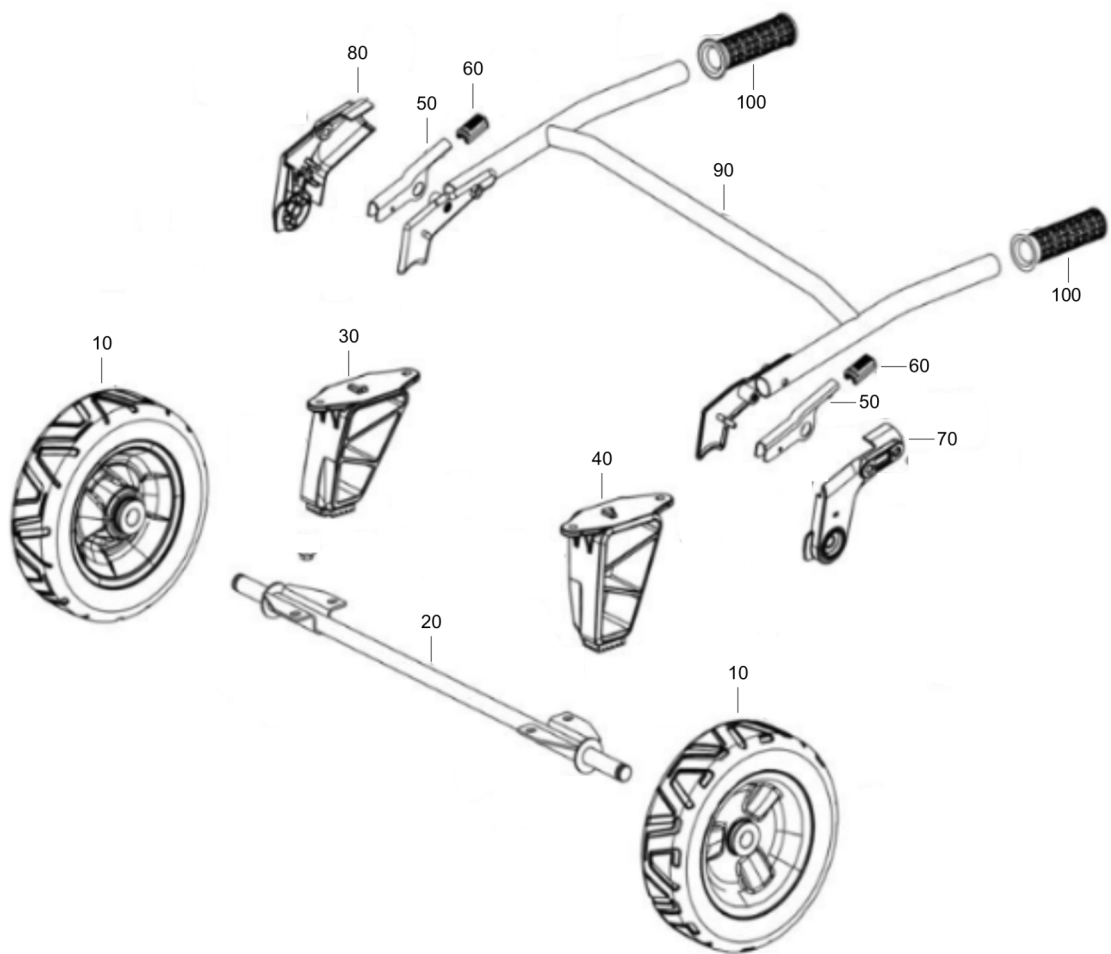


Id	Qty	Number	Name	Specifications
10	1	1636304544	Head cover gasket	
20	1	1636303867	CYLINDER HEAD GASKET	
30	1	1636300603	SPARK PLUG	
40	2	1636300683	OIL SEAL	
50	2	1636300676	BEARING 6202	
60	1	1636300675	OIL LEVEL SWITCH	
70	1	1636304545	Drain plug washer	
80	1	1636304546	Starter motor	
90	1	1636304547	Cap assembly	
100	1	1636304548	Case cover gasket	
110	1	1636304549	Bearing 6307	
120	1	1636304550	Starter assembly	
130	1	1636304551	Isulator gasket	
140	1	1636304552	Carburetor isulator	
150	1	1636304553	Carburetor packing	
160	1	1636304554	Carburetor assembly	
170	1	1636302458	SPEPPER MOTOR	
180	1	1636304555	Speed variable stepper motor	
190	1	1636304556	Electromotor bracket	
200	1	1636304557	Fuel pump assembly	
210	1	1636304558	Air cleaner assembly	
260	1	1636304563	Muffler comp	
270	1	1636304564	Ex.pipe gasket	
290	1	1636304566	Muffler gasket	
300	1	1636330067	Muffler guard shield	
310	1	1636330068	Heat insulation fiber	
320	1	1636330069	Heat insulating plate	
330	1	1636330076	Sealing plug screw	
340	1	1636330077	Head cyl. temp sensor	



Id	Qty	Number	Name	Specifications
10	1	1636304560	Starter pulley	
20	1	1636304571	Fan cooling	
30	1	1636304567	Rotor	
40	1	1636304561	Trigger	
50	1	1636304562	Ignition	
60	1	1636304565	STATOR	

Id	Qty	Number	Name	Specifications
10	1	1636330080	INVERTER ASSY	
20	1	1636304604	BATTERY CHARGER	
30	1	1636304605	BATTERY SUPPORT	
40	1	1636330054	BACK AIR COVER	
50	1	1636330055	FRONT AIR COVER	
60	1	1636330056	DISC AIR COVER	
70	1	1636330071	EARTH CABLE	
80	1	1636330072	FUSE BOX	



Id	Qty	Number	Name	Specifications
10	2	1636304606	Wheel comp.	
20	1	1636304607	Wheel axle pin	
30	1	1636304608	Shock absorb. bracket	
40	1	1636304609	Shock absorber bracket	
50	2	1636304610	Locking handle	
60	2	1636304611	Rubber jacket	
70	1	1636304612	Connection seat	
80	1	1636304613	Connection seat	
90	1	1636304614	Handle main pipe	
100	2	1636304615	Rubber jacket	

Part no	Part no	Part no	Part no	Part no	Part no
	Engineoil-genoil5w40-	1626225800	Engineoil-genoil5w40-	1626225900	Engineoil-genoil5w40-
1626226200	Engineoil-Genoil15W4	1626226300	Engineoil-Genoil15W4	1636300603	1636310897
1636300603	Service_pack_200h_1l	1636300603	1636320099	1636300641	1636320102
1636300641	Service_pack_200h_1l	1636300641	1636310897	1636300675	1636320099
1636300676	1636320099	1636300683	1636320099	1636300725	1636330088
1636300961	1636330088	1636302264	1636320102	1636302458	1636320099
1636302609	1636310897	1636302609	1636320102	1636303323	1636330088
1636303867	1636320099	1636303977	1636320264	1636303978	1636320264
1636304535	1636320102	1636304544	1636310897	1636304544	1636320099
1636304544	Service_pack_200h_1l	1636304545	1636320099	1636304546	1636320099
1636304547	1636320099	1636304548	1636320099	1636304549	1636320099
1636304550	1636320099	1636304551	1636320099	1636304552	1636320099
1636304553	1636320099	1636304554	1636320099	1636304555	1636320099
1636304556	1636320099	1636304557	1636320099	1636304558	1636320099
1636304559	Service_pack_200h_1l	1636304559	1636310897	1636304560	1636320100
1636304561	1636320100	1636304562	1636320100	1636304563	1636320099
1636304564	1636320099	1636304565	1636320100	1636304566	1636320099
1636304567	1636320100	1636304571	1636320100	1636304572	1636320264
1636304573	1636320264	1636304574	1636320264	1636304575	1636320264
1636304576	1636320264	1636304580	1636320102	1636304581	1636320102
1636304582	1636320102	1636304583	1636310897	1636304583	1636320102
1636304584	1636320102	1636304585	1636320102	1636304587	1636330088
1636304588	1636330088	1636304589	1636330088	1636304592	1636330088
1636304597	1636330088	1636304598	1636320265	1636304599	1636320265
1636304600	1636330088	1636304603	1636320265	1636304604	1636320261
1636304605	1636320261	1636304606	1636320105	1636304607	1636320105
1636304608	1636320105	1636304609	1636320105	1636304610	1636320105
1636304611	1636320105	1636304612	1636320105	1636304613	1636320105
1636304614	1636320105	1636304615	1636320105	1636310897	Service_pack_200h_1l
1636320264	1636320263	1636320265	1636320263	1636330054	1636320261
1636330055	1636320261	1636330056	1636320261	1636330065	1636320265
1636330066	1636320265	1636330067	1636320099	1636330068	1636320099
1636330069	1636320099	1636330070	1636320264	1636330071	1636320261
1636330072	1636320261	1636330073	1636320102	1636330074	1636320102
1636330076	1636320099	1636330077	1636320099	1636330078	1636320264
1636330080	1636320261	1636330082	1636330088	1636330083	1636320265
1636330088	1636320265	1636330211	1636320264		